



iNjLINE®

Fastening System



Read and Retain
for Future Reference 

FERNO®

Users' Manual

October 2022
Pub. No. 234-3621-02

Ferno Customer Relations

For ordering assistance or general information:

CANADA AND THE U.S.A.

| | |
|-----------------------|--|
| Telephone (Toll-free) | 1.877.733.0911 |
| Telephone | 1.937.382.1451 |
| Fax (Toll-free) | 1.888.388.1349 |
| Fax | 1.937.382.1191 |
| Internet | www.ferno.com |

ALL OTHER LOCATIONS

For assistance or information, please contact your Ferno distributor. If you do not have a Ferno distributor, please contact Ferno Customer Relations:

Ferno-Washington, Inc., 70 Weil Way
Wilmington, Ohio 45177-9371, U.S.A.

| | |
|-----------|--|
| Telephone | Country Code +1.937.382.1451 |
| Fax | Country Code +1.937.382.6569 |
| Internet | www.ferno.com |



Serial Number _____

Location: End of fastening system.

Disclaimer

This manual contains general instructions for the use, operation and care of this product. The instructions are not all-inclusive. Safe and proper use of this product is solely at the discretion of the user. Safety information is included as a service to the user. All other safety measures taken by the user should be within and under consideration of applicable regulations and local protocol. Training on the proper use of this product must be provided before using this product in an actual situation.

Retain this manual for future reference. Include it with the product in the event of transfer to new users. Additional free copies are available upon request from Customer Relations.

Proprietary Notice

The information disclosed in this manual is the property of Ferno-Washington, Inc., Wilmington, Ohio, USA. Ferno-Washington, Inc. reserves all intellectual property rights, proprietary design rights, manufacturing rights, reproduction use rights, and sales use rights thereto, and to any article disclosed therein except to the extent those rights are expressly granted to others or where not applicable to vendor proprietary parts.

Limited Warranty Statement

The products sold by Ferno are covered by a limited warranty, which is printed on all Ferno invoices. The complete terms and conditions of the limited warranty, and the limitations of liability and disclaimers, are also available upon request by calling Ferno at 1.800.733.3766 or 1.937.382.1451.

Adverse Event Notice

In the event of an adverse event or serious incident related to the use of this device, the end user/operator must report the incident to Ferno-Washington, Inc. at 70 Weil Way, Wilmington, Ohio 45177 USA, 1-877-733-0911, or via email at tscordinator@ferno.com. If the incident occurred in the European Union, report it to Ferno's Authorized EU Representative and the competent authority of the Member State in which the end user is established.

USERS' MANUALS

To request additional free users' manuals, contact Ferno Customer Relations, your Ferno distributor, or www.ferno.com.



Ferno-Australia
11 Johnstone Road, Brendale, QLD 4500
Queensland, Australia
+617.3881.4999



FERNO S.r.l.
via B. Zallone, 26
40066 Pieve di Cento BO
Italy (+39) 0516860028



Ferno (UK) Ltd.
Ferno House, Stubs Beck Lane
Cleckheaton, West Yorkshire, BD19 4TZ
+44 (0) 1274 851999




TABLE OF CONTENTS

| Section | Page | Section | Page |
|---|-----------|--|-----------|
| Ferno Customer Relations _____ | 2 | 5 - Using the Fastening System _____ | 11 |
| Table of Contents _____ | 3 | 5.1 Before Placing the Fastening System in Service _____ | 11 |
| 1 - Safety Information _____ | 4 | 5.2 General Guidelines for Use _____ | 11 |
| 1.1 Warning _____ | 4 | 5.3 Using the Fastening System _____ | 11 |
| 1.2 Notice _____ | 4 | 6 - Maintenance _____ | 12 |
| 1.3 Bloodborne Disease Notice _____ | 4 | 6.1 Maintenance Schedule _____ | 12 |
| 1.4 Symbol Glossary _____ | 4 | 6.2 Disinfecting the Fastening System _____ | 12 |
| 1.5 Safety and Instruction Labels _____ | 4 | 6.3 Cleaning the Fastening System _____ | 12 |
| 1.6 Compliance _____ | 5 | 6.4 Inspecting the Fastening System _____ | 12 |
| 1.7 Installation Requirements _____ | 6 | 6.5 Lubrication-Free Fastening System _____ | 13 |
| 2 - Operator Focus _____ | 7 | 6.6 Pressure-Washing _____ | 13 |
| 2.1 Operator Training _____ | 7 | 6.7 Removing the Fastening System from the Floor for Cleaning _____ | 14 |
| 2.2 Terms _____ | 7 | 6.8 Attaching the Fastening System to the Ambulance Floor _____ | 15 |
| 3 - About the Fastening System _____ | 8 | 7 - Parts and Service, Accessories _____ | 17 |
| 3.1 Description _____ | 8 | 7.1 U.S.A. and Canada _____ | 17 |
| 3.2 General Specifications _____ | 9 | 7.2 Australia _____ | 17 |
| 4 - Features _____ | 10 | 7.3 Worldwide _____ | 17 |
| 4.1 Release Button _____ | 10 | 7.4 Accessories _____ | 17 |
| 4.2 Safety Hook _____ | 10 | Training Record _____ | 18 |
| 4.3 Fastening-Post Retainer _____ | 10 | Maintenance Record _____ | 19 |
| 4.4 Fastening-Post Lock _____ | 10 | | |
| 4.5 Integrated Charging System (ICS®) _____ | 10 | | |
| 4.6 Floor Lock Indicator Window _____ | 10 | | |

1 - SAFETY INFORMATION

1.1 Warning

Warning notices indicate a potentially hazardous situation which, if not avoided, could result in injury or death.

|  WARNING |
|---|
| Improper or inadequate installation can cause injury. The installer must test the fastening-system setup to meet or exceed all applicable guidelines before using the setup in an ambulance. |
| Improper installation can cause injury and damage. Install the fastening system only as described in this manual. |
| Failure to use protective equipment can allow injury. Use protective equipment as needed for installation. |
| Untrained helpers can cause injury or be injured. Trained operators must operate the fastening system. |
| Improper use can cause injury. Use the fastening system only for the purpose described in this manual. |
| An improper cot can cause injury. Use only a compatible Ferno cot designed for use with the fastening system. |
| Improper operation can cause injury. Operate the fastening system only as described in this manual. |
| Improper maintenance can cause injury. Maintain the fastening system only as described in this manual. |
| An improperly-secured fastening system can fail in a crash. Confirm all fasteners are fully tightened and properly secure the fastening system to the floor. |
| Improper parts and service can cause injury. Use only Ferno-approved parts and service on the fastening system. |
| Modifying the fastening system can cause injury and damage. Use the fastening system only as designed by Ferno. |

1.2 Notice

Notices emphasize important, but not hazard-related information. Failure to follow Notices could result in product or property damage.






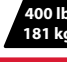
| NOTICE |
|---------------|
| |

1.3 Bloodborne Disease Notice

To reduce the risk of exposure to blood or other potentially infectious materials when using the fastening system, follow the disinfecting and cleaning instructions in this manual.

1.4 Symbol Glossary

The symbols defined here are used on the fastening system and/or in this manual. Ferno uses symbols recognized by the International Standards Organization (ISO), American National Standards Institute (ANSI) and the emergency medical services industry.

| Symbol | Definition |
|---|-------------------------------------|
|  | General warning of potential injury |
|  | Read the users' manual |
|  | Do not lubricate |
|  | Lock |
|  | Unlock |
|  | Load Capacity/Safe Working Load |

1.5 Safety and Instruction Labels

Safety and instruction labels place important information from the users' manual on the fastening system. Read and follow label instructions. Replace worn or damaged labels immediately.

General Information Label: Follow the instructions in this manual for proper and safe use of the fastening system and ICS® charging system.



Floor Lock Label: Follow the instructions in this manual to properly lock the fastening system to the ambulance floor.



1.6 Compliance

SPECIFICATIONS AND STANDARDS

When properly installed and used with appropriate additional Ferno products, the iNfLINE® fastening system meets or exceeds the following global specifications and standards.

U.S.A.

- AMD: Ambulance Manufacturer's Division (AMD) of the National Truck Equipment Association Standard 004, Litter Retention System Static Test.
- KKK-A-1822 (F): Federal Ambulance Specification KKK-A-1822 revision F as applicable.
- NFPA 1917: National Fire Protection Association standard.
- SAE: Society of Automotive Engineers SAE J3027 Recommended Practice.
- CAAS: Commission on Accreditation of Ambulance Services Global Vehicle Standard (GVS)
- IP56: Ingress Protection rating for dust and water infiltration.

CANADA

- Ontario: Ontario Land Ambulance Standard Section 20.1 Main Cot Retention.
- BCAS: BCAS Ambulance Performance Test Criteria E2 Stretcher Retention.
- Alberta: Alberta Health and Wellness Ambulance Vehicle Standard Code Section 17.5 Cot Retention System Test.
- AMD 004 Litter Retention System Static Test. (Some provinces follow the U.S. AMD specification.)

AUSTRALIA/NEW ZEALAND

- AS/NZS 4535. Meets the requirements of the Ambulance Restraint Systems test.

EUROPE

- CE: Meets European Norms.
- RoHS-2: Meets the requirements of RoHS-2 Directive 2015/863 on the Restriction of the Use of Certain Hazardous Substances.
- EN 1789 and EN 1865: Vehicle, fastening system, and crash-test standards.

1.7 Installation Requirements

INSTALLER REQUIREMENTS

- To install the fastening system, a skilled professional who is familiar with ambulance construction is required.
- Install the fastening system to meet or exceed all applicable standards in your country. Each fastener and support structure must be able to withstand the forces associated with the appropriate national standards. See "Compliance" on page 5.
- Two people may be needed for some installation steps.

VEHICLE REQUIREMENTS

- Inspect the ambulance for anything that might interfere with the installation.
- The floor to which the mounting components are attached must have sufficient strength to hold the mounted fastening system and cot with patient. Consult the ambulance manufacturer for ambulance structural details and ambulance warranty information.
- Install a new fastening system when remounting an ambulance box.
- If the ambulance is involved in a traffic accident, inspect the fastening system. Replace any damaged components and inform Ferno. See "Adverse Event Notice" on page 2.
- For complete installation information, refer to the iN|LINE installation manual. See "Ferno Customer Relations" on page 2.

WARNING

Improper or inadequate installation can cause injury. The installer must test the fastening-system setup to meet or exceed all applicable guidelines before using the setup in an ambulance.

Improper installation can cause injury and damage. Install the fastening system only as described in this manual.

Failure to use protective equipment can allow injury. Use protective equipment as needed for installation.

NOTICE

Installation fasteners and support structure must be able to withstand the forces associated with the applicable standards within the country where the ambulance will be operated.

Inspect under the ambulance floor for anything (fuel tank, wiring, brake lines, fuel lines, oxygen lines or other items) that might interfere with the installation.

If the ambulance is involved in a traffic accident, inspect the fastening system.

2 - OPERATOR FOCUS

2.1 Operator Training

Operator using the fastening system:

- must read and understand this manual.
- must have training on proper use of the fastening system.
- must have a training on emergency-medical service and emergency patient-handling procedures.
- must have the physical ability to assist the patient.
- must practice with the fastening system before using it with a patient.
- must keep training records. For a sample training record sheet, see “Training Record” on page 18.



WARNING

Untrained helpers can cause injury or be injured. Trained operators must operate the fastening system.

2.2 Terms

The following terms are used in this manual.

- **Fastening System:** The fastening system is a generic term for a device that secures a compatible ambulance cot inside an ambulance for ground-based transport.
- **Integrated Charging System:** ICS is a system of cables and connections from the battery charger to the fastening system. The ICS delivers charging power to the iNfX when powered and with an iNfX secured in the fastening system.
- **Nose:** The nose is the end of the fastening system nearest the rear ambulance doors (or furthest from the ambulance driver.)

3 - ABOUT THE FASTENING SYSTEM

3.1 Description

The Ferno® iNfLINE® Fastening System is a device designed to secure a compatible Ferno ambulance cot inside a ground-based ambulance.

The fastening system is compatible only with the Ferno® iNfX® Patient Transport & Loading System™.

Three lengths are available: iNfLINE-S, iNfLINE-M, and iNfLINE-L. In this manual, the term fastening system refers to all versions. When differences exist, the specific model name is used.

The fastening system is for professional use only by trained Emergency Medical Service operators. See "Operator Focus" on page 7.

FEATURES

- **Aluminum Construction:** The exterior is impact-resistant and easy to clean.
- **ICS® Automatic Charging:** The charging system is integrated into the fastening system and charges or maintains the charge in the cot battery whenever the cot is secured in the fastening system. Cot power switches to OFF when secured in a powered ICS.
- **Safety Hook:** The integrated safety hook functions as a safety stop to hold the cot secure inside the ambulance while operators raise and lower the legs during the loading and unloading process
- **Release Button:** Single-press button unlocks the cot for unloading.
- **Tested and Certified for Worldwide Standards Compliance:** See "Compliance" on page 5.
- **Track Loading:** Allows loading of the cot from a variety of angles.
- **Common Components:** The only variation between iNfLINE models is the overall length of the fastening system.

WARNING

Improper use can cause injury. Use the fastening system only for the purpose described in this manual.

An improper cot can cause injury. Use only a compatible Ferno cot designed for use with the fastening system.

Installation Overview

To install the fastening system, follow the instructions in the iNfLINE installation manual. A manual is provided with each installation kit. For additional manuals, contact Ferno. See "Ferno Customer Relations" on page 2.

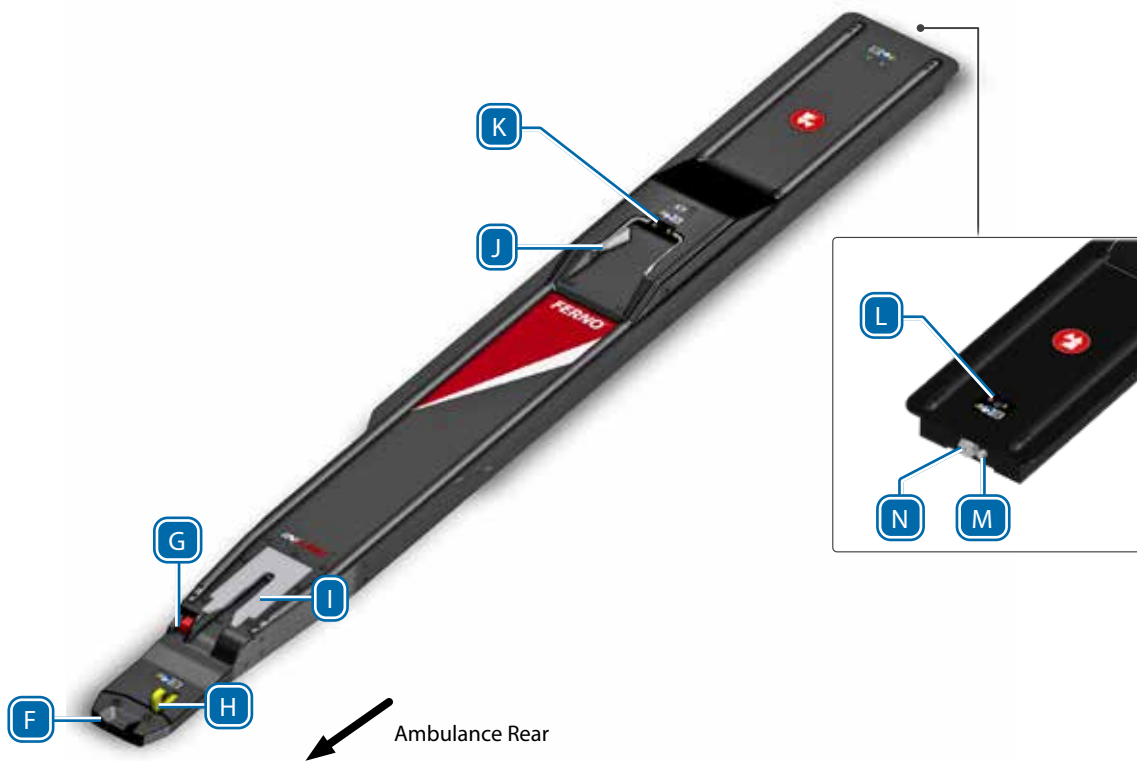
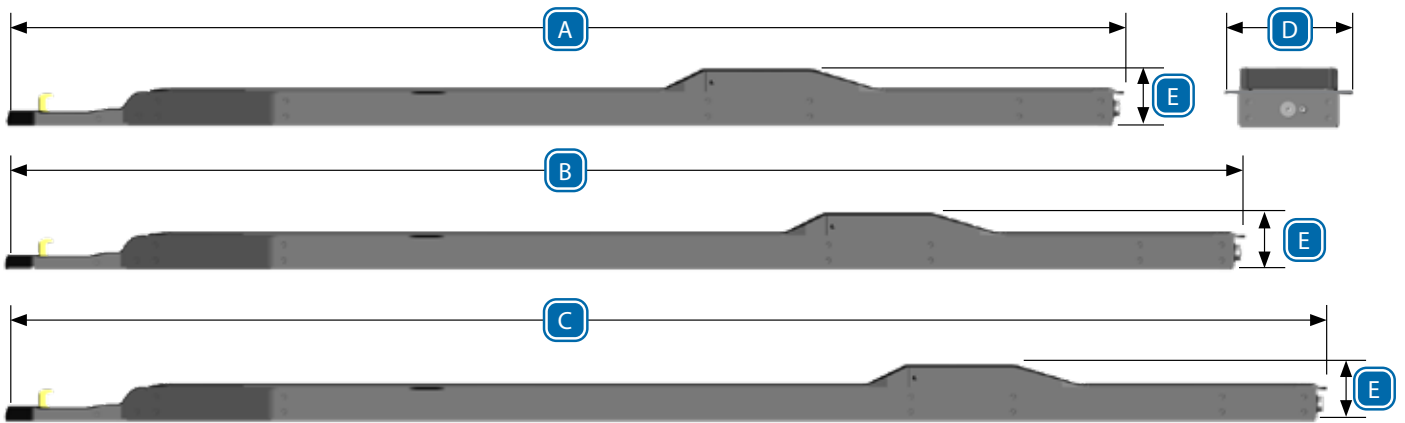
As a user, be aware of the following:

- The ambulance must comply with the standards of the country in which it is used. See "Compliance" on page 5 for a list of standards met by the fastening system.
- Inspect under the ambulance for obstructions and for suitable support structure. The installer should install support structure if needed.
- Inspect the fastening system regularly to ensure it meets all required standards required by your local government. See "Inspecting the Fastening System" on page 12.
- Install a new fastening system when remounting an ambulance box. Removing and reinstalling an old fastening system can weaken the fastening system.
- If the ambulance is involved in a traffic accident, inspect it. See "Inspecting the Fastening System" on page 12. Replace any damaged components.

Construction

| | |
|---------------------|----------|
| Frame | Aluminum |
| Internal Components | Steel |
| Other | Plastic |

3.2 General Specifications



| Specification | Imperial | Metric |
|---------------------------|----------|---------|
| A) iNfLINE-S Length | 86 in | 2184 mm |
| B) iNfLINE-M Length | 95 in | 2424 mm |
| C) iNfLINE-L Length | 102 in | 2584 mm |
| D) Overall Width-S, M, L | 9.5 in | 240 mm |
| E) Overall Height-S, M, L | 4.5 in | 115 mm |
| Weight iNfLINE-S | 72 lb | 32.7 kg |

General specifications are rounded. Metric conversions are calculated before rounding. Ferno reserves the right to change specifications without notice.

| Components | |
|------------|-------------------------|
| F | Nose |
| G | Release Button |
| H | Safety Hook |
| I | Fastening Post Retainer |
| J | Fastening Post Lock |
| K | ICS Contacts |
| L | Floor Lock Indicator |
| M | Floor Lock Set Screw |
| N | Floor Lock Bolt |

4 - FEATURES

4.1 Release Button

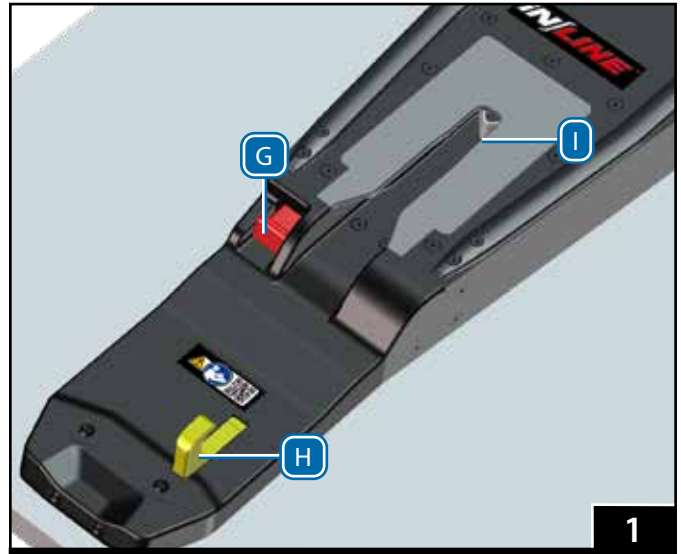
Press the release button (G) to disengage the lock and allow the cot to be removed from the fastening system (Figure 1).

4.2 Safety Hook

The safety hook (H, Figure 1) holds the cot safety bar securely while the operators raise or lower the undercarriage legs during the loading and unloading process.

4.3 Fastening-Post Retainer

The fastening-post retainer (I, Figure 1) captures the cot control-end post and helps secure the cot in the fastening system during vehicle transport.



4.4 Fastening-Post Lock

The fastening-post lock (J, Figure 2) captures and secures the cot loading-end fastener post during the loading process and securely locks the cot into the fastening system for vehicle transport.



4.5 Integrated Charging System (ICS®)

Integrated Charging System contact pins (K, Figure 2) disable powered operation of the iNjX and charge the iNjX main battery.

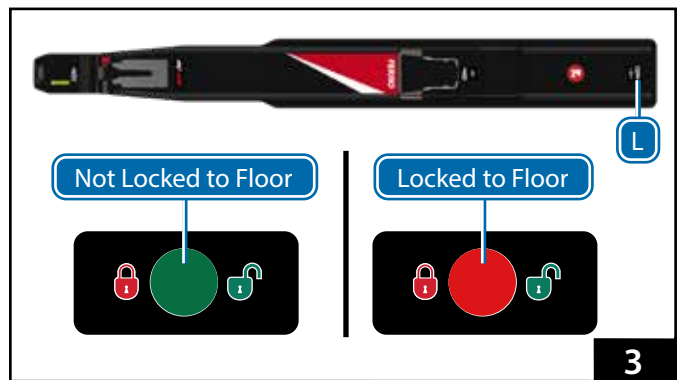
The ambulance ignition, inverter, and/or outlet switch may need to be turned ON to supply electrical power to the ICS.

4.6 Floor Lock Indicator Window

The floor lock indicator window (L, Figure 3) helps verify that the fastening system is secured to the ambulance floor.

The indicator window is fully red when the fastening system is properly locked to the floor. If any portion of green is visible, the fastener is not properly secured.

The upper fastener is removable from the floor for cleaning. See the instructions on page 14 and page 15.



5 - USING THE FASTENING SYSTEM

5.1 Before Placing the Fastening System in Service

- Before use, personnel who will work with the fastening system must read and understand this manual. Appropriate skills and training are also required. See "Operator Focus" on page 7.
- Confirm that the fastening system operates properly and is securely locked to the floor. See "Inspecting the Fastening System" on page 12.
- The fastening system is for use with compatible products only.

5.2 General Guidelines for Use

- Medical advice is beyond the scope of this manual.
- It is the users' responsibility to ensure safe practices for the patient and themselves.

5.3 Using the Fastening System

Refer to the cot users' manual for loading and unloading instructions. For additional manuals, contact Ferno. See "Ferno Customer Relations" on page 2.

Loading:

1. Always fully engage the yellow safety hook (H, Figure 4) with each safety bar (N). Operators should roll the cot firmly against the safety hook and confirm the hook has engaged the safety bar before raising or lowering the undercarriage legs.
2. Refer to the cot users' manual to load the cot into the fastening system.
3. Roll the cot completely into the fastening system until the lock engages. Confirm the cot fastening posts engage the fastening system lock (J, Figure 5) and retainer (I, Figure 6).
4. Verify the cot is locked in the fastening system by attempting to roll it out of the ambulance. If the lock has engaged, the cot will remain locked in the fastening system.

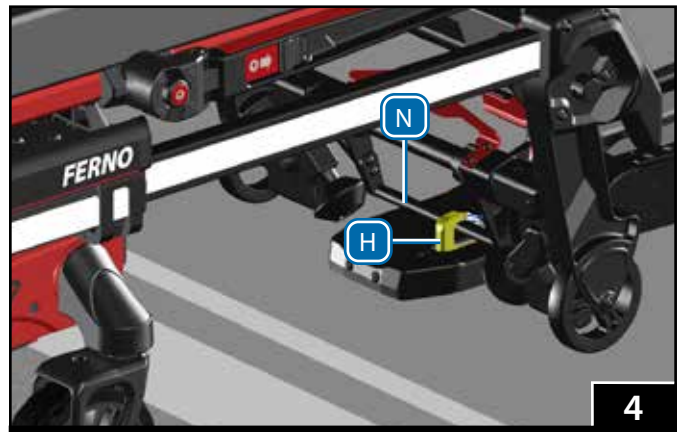
Unloading:

1. Push the cot toward the front of the ambulance and press the red release button (G, Figure 6) to disengage the lock.
2. Refer to the cot users' manual to unload the cot from the fastening system.
3. Always fully engage the yellow safety hook (H, Figure 4) with each cot safety bar (N). Operators should roll the cot firmly against the safety hook and confirm the hook has engaged the safety bar before raising or lowering the undercarriage legs.

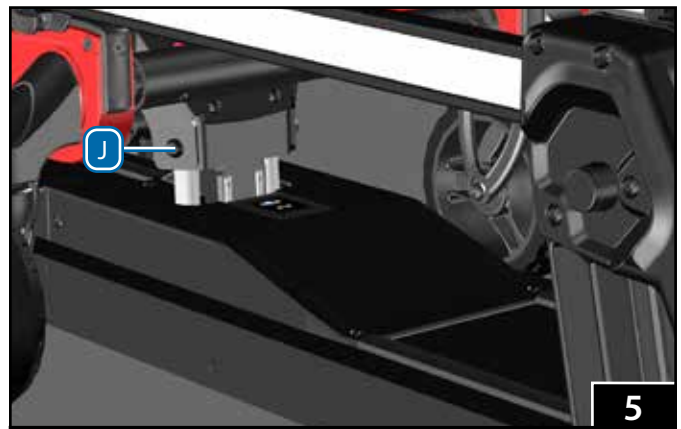
WARNING

Improper operation can cause injury. Operate the fastening system only as described in this manual.

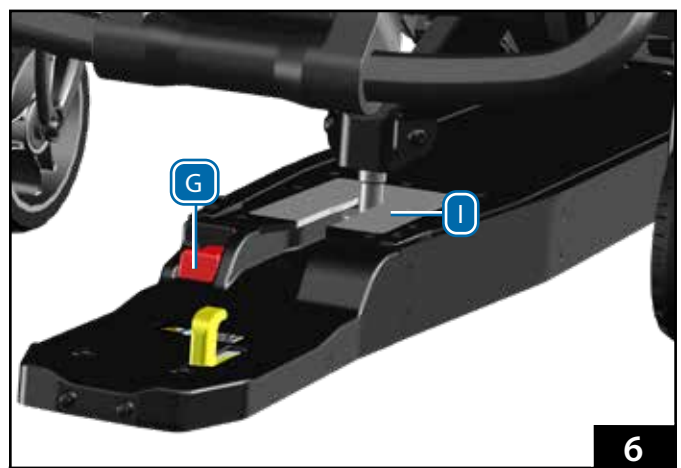
An improper cot can cause injury. Use only a compatible Ferno cot designed for use with the fastening system.



4



5



6

6 - MAINTENANCE

6.1 Maintenance Schedule

The fastening system requires regular maintenance. Set up and follow a maintenance schedule. The table at right represents minimum intervals for maintenance.

Keep maintenance records. For a sample record sheet, see "Maintenance Record" on page 19.

When using maintenance products, follow the manufacturers' directions and read the manufacturers' material safety data sheets.

6.2 Disinfecting the Fastening System

Wipe all surfaces with disinfectant. Follow the disinfectant manufacturer's instructions for application method and contact time. Ferno recommends you inspect the fastening system for damage as you disinfect.

6.3 Cleaning the Fastening System

1. The upper fastener is removable from the floor for cleaning. See "Removing the Fastening System from the Floor for Cleaning" on page 14.
2. Hand clean all surfaces of the fastening system with warm water and a mild detergent.
3. Rinse with warm, clear water. Dry the fastening system with a towel or allow it to air-dry.
4. Reattach the upper fastening system. See "Attaching the Fastening System to the Ambulance Floor" on page 15.

6.4 Inspecting the Fastening System

Have your service's equipment maintenance personnel inspect the fastening system regularly.

Follow the checklist at right and operate the fastening system through all its functions as described in this manual.

If inspection shows damage or excessive wear, remove the fastening system from service until repair is made. See "Parts and Service, Accessories" on page 17.



WARNING

Improper maintenance can cause injury. Maintain the fastening system only as described in this manual.

| Minimum Maintenance | Each Use | As Needed | Monthly |
|--------------------------|----------|-----------|---------|
| Disinfecting (this page) | | • | |
| Cleaning (this page) | | • | |
| Inspecting (this page) | | • | • |

NOTICE

Disinfectants and cleaners containing bleach, phenolics, or iodines can cause damage. Do not use products containing these chemicals.

Using abrasive cleaning compounds or applicators can cause damage. Do not use abrasive materials to clean the fastening system.

Make sure all connections are tight, but do not overtighten the hardware. Overtightening, especially with powered tools, can cause the nut and bolt beneath the ambulance floor to pull through the support structure.

If inspection indicates the components are pulling through the support structure, take the fastening system out of service immediately and install a new fastening system.

Inspection Checklist

- Are all components present?
- Is the fastening system free of excessive wear?
- Are all parts in good condition (no cracks, corrosion, or damage)?
- Do all moving parts operate smoothly and properly?
- Does the fastening system lock properly to the floor?
- Does the cot load and unload properly?
- Does the cot lock properly into the fastening system?
- Monitor the ambulance floor, including beneath the ambulance, and check the integrity of the fastening system. Is the system worn? Has exposure to the environment caused noticeable damage?
- Is all hardware tight? (Reminder: Do not overtighten the hardware.)

6.5 Lubrication-Free Fastening System

The fastening system is constructed with lubrication-free materials. Do not lubricate the fastening system.

NOTICE

Lubricating parts that should not be lubricated allows dirt and foreign particles to collect on those parts, resulting in damage.



6.6 Pressure-Washing

Use caution when using pressurized water, spray-wands and equipment when cleaning the fastening system. Wear all safety equipment recommended by the pressure-sprayer manufacturer.

PREPARING TO PRESSURE-WASH

1. Remove the cot from the fastening system.
2. For iNfX, disconnect power to the Ferno battery charger, or turn the power to the charger OFF.
3. If you have removed the upper fastening system from the floor, cover ICS cable ends with a plastic bag held closed by a rubber band to prevent water from entering a disconnected cable.

PRESSURE-WASHING THE FASTENING SYSTEM

1. Set the nozzle pressure at or below 3000 psi (20,684 kPa). Ferno recommends you use a nozzle with a wide angle of spray (25° or 40°). Keep the nozzle at least 18 inches (457 mm) away from the fastening system at all times. Do not spray directly into the ICS contacts.
2. Wipe the fastening system dry with a towel if desired.
3. Allow the fastening system to dry for 10 minutes. (If any water penetrates the case, this allows time for it to drain away under the ambulance.)
4. When fully dry, return the fastening system to service.
5. For iNfX, reconnect the Ferno battery charger or turn power to the charger ON. Load the cot into the fastening system and verify the ICS charges the battery and disables the iNfX powered mode.

NOTICE

The fastening system is water-resistant.

- **DO:** Keep the nozzle pressure setting **at or below** the listed pressure setting:
 - 3000 psi/20,684 kPa
 - 4 gallons per minute
 - 5 liters per minute
- **DO:** Keep the nozzle at least 18"/457 mm from the surface of the fastening system at all times.
- **DO:** Cover both ICS cable connectors if the upper fastening system has been removed from the floor.
- **DO:** Keep track of the four locator pins if the upper fastening system has been removed from the floor.
- **DO NOT:** Spray water into the ICS port.

Ingress Protection Rating

The iNfLINE fastening system is rated IP 56. IP stands for Ingress Protection, and indicates the fastening system has been tested in compliance with dust and water infiltration standards.

Solid Particle Protection (Rating: 5): Dust-protected

Liquid Ingress Protection (Rating: 6): Protected against water infiltration

The IP Rating system was developed by the European Committee for Electrotechnical Standardization (CENELEC) to show compliance of ANSI/IEC 60529, Degrees of Protection Provided by Enclosures (IP Code).

6.7 Removing the Fastening System from the Floor for Cleaning

The upper fastening system is removable for cleaning.

1. Using a 4 mm hex wrench, remove the two screws (O) and washers (P) from the nose (Figure 7). Keep the screws and washers.
2. Using a 6 mm hex wrench, loosen the set screw (M) at the end of the fastening system near the floor lock window (L, Figure 8).
3. Using a 6 mm hex wrench, loosen the fastening bolt (N, Figure 8) until the floor lock window changes from red (locked) to fully green (not locked). See "Lock Window" on page 10.

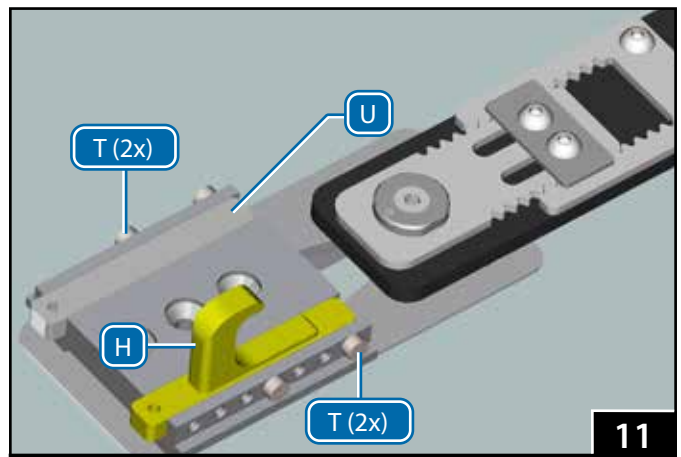
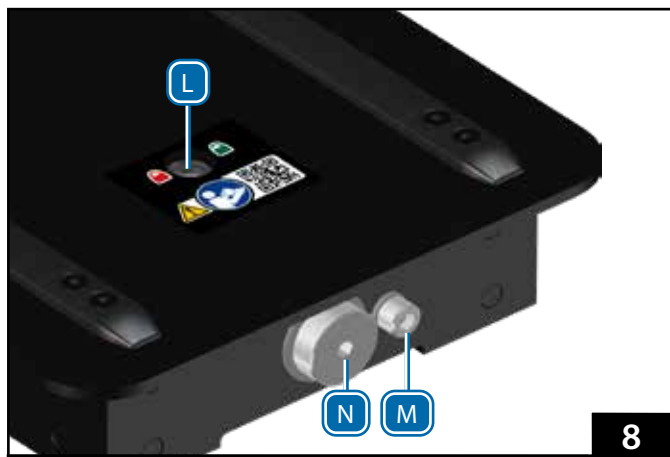
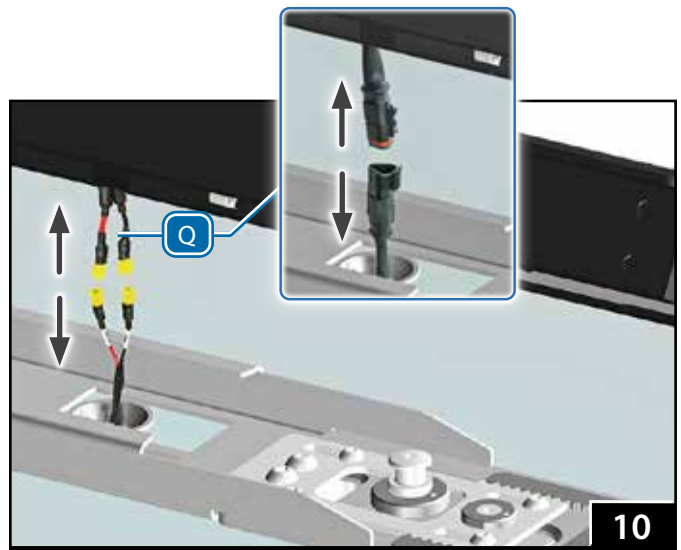
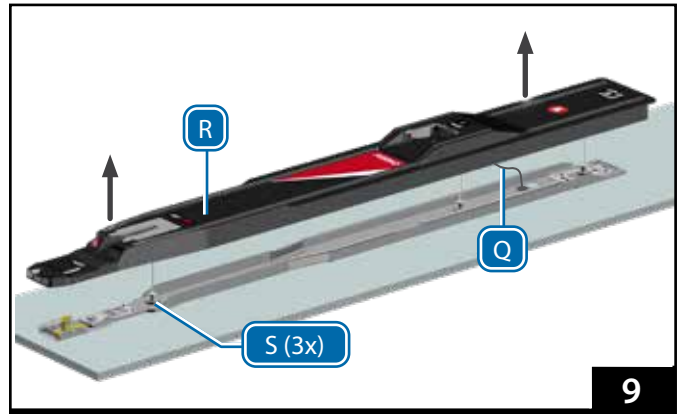
Note: The ICS cable is connected to the floor under the fastening system. Take care when lifting the fastening system.

4. Using additional help as needed, and taking care to not damage the ICS cable (Q), lift the upper fastening system (R) straight up and off the floor posts (S) and set it beside the floor plate (Figure 9).
5. Disconnect the ICS cable (Q, Figure 10). Note: the ICS cable connections (Q) may be a pair of flag terminals or a triangle connector.
6. During cleaning, be aware:
 - o The locator pins (T, Figure 11) holding the safety hook (H) and insert (U) are loose. Keep pins in place while cleaning.
 - o If power-washing with the upper fastening system removed, cover both ends of the ICS connector cables with a plastic bag, held closed by a rubber band.

NOTICE

To prevent damage to the ICS charging wire, monitor the position of the charging wire as you lift the fastening system off the floor adapter.

Do not remove the locator pins that hold the position of the safety hook and insert. Verify all four pins are present. Keep the pins in position.



NOTICE

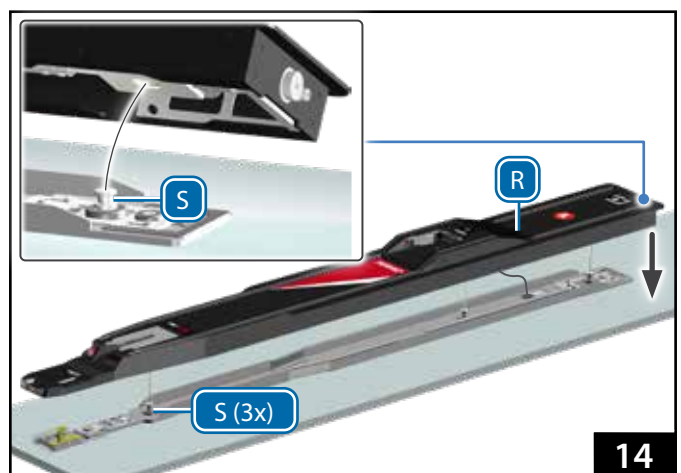
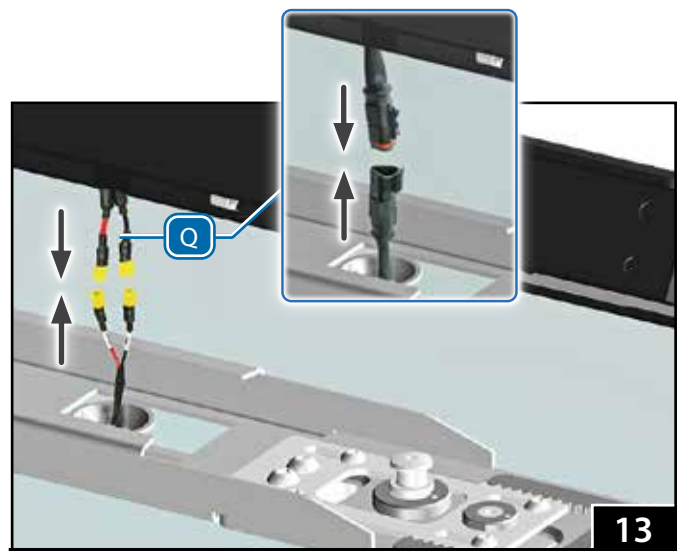
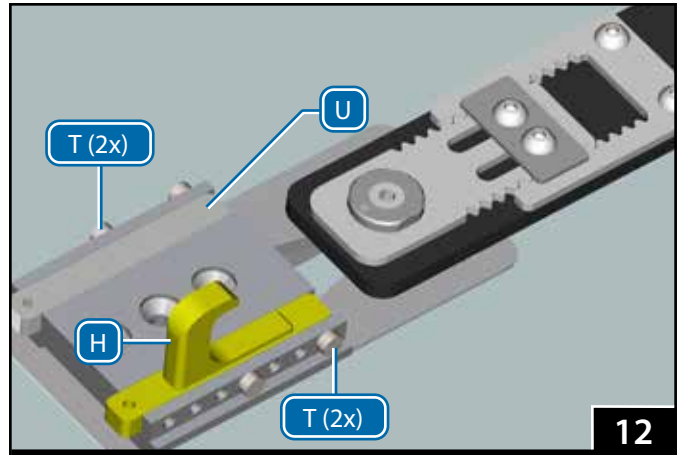
Do not remove the locator pins that hold the position of the safety hook and insert. Verify all four pins are present. Keep the pins in position.

WARNING

An improperly-secured fastening system can fail in a crash. Confirm all fasteners are fully tightened and properly secure the fastening system to the floor.

6.8 Attaching the Fastening System to the Ambulance Floor

1. After cleaning, verify that the four locator pins (T) holding the position of the safety hook (H) and insert (U) are in position (Figure 12).
2. Remove the rubber band and plastic bag cover from the two halves of the ICS cable.
3. Verify that the floor lock indicator window is showing green (no red). See "Floor Lock Indicator Window" on page 10.
4. Connect the ICS cable (Q) to the floor connector (Figure 13). If the connectors are yellow terminals on black and red wires, connect red-red and black-black. If the fastener has the triangle connector, orient the clip with the mating receiver. Confirm the cables are properly connected. Center any excess cable in the middle of the mounting rail where it will not be kinked or damaged. Monitor the position of the ICS cable as you attach the upper fastening system to the floor rail.
5. Using additional help as needed, orient the upper fastening system (R) over the three floor posts (S). Set the upper fastening system in place (Figure 14).
6. Verify the upper fastening system (R) is properly positioned on the mounting rail, with the safety hook passing through the slot in the nose. The upper fastening system should fully contact the floor.



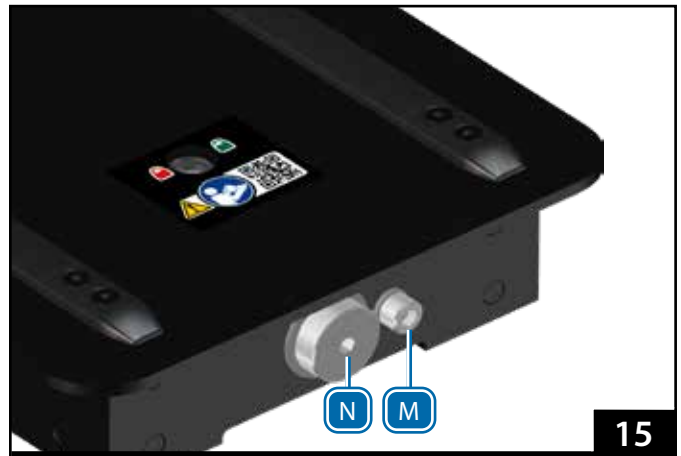
7. Use a 6 mm hex wrench to tighten the fastening bolt (Figure 15). Verify the floor lock indicator window changes from green (unlocked) to fully red (locked). See "Floor Lock Indicator Window" on page 10.
8. Use a 6 mm hex wrench to tighten the set screw (M, Figure 15). Tighten until snug.
9. Clean and prepare the two 4 mm nose screws as follows:
 - Clean the threads of the screws, plus the mating threads of the safety-hook mounting block with acetone or an appropriate threadlocker cleaner/primer (not supplied). Allow the threads to dry completely.
 - Apply 1 drop of removable threadlocker to the screw threads. Install the screws immediately. Wipe off any excess threadlocker.
 - Allow threadlocker to dry for a minimum of one hour before use. Full cure time is 24 hours.
10. Use a 4 mm hex wrench to attach the two nose screws (O) and washers (P, Figure 16). Tighten until snug. Do not overtighten.

NOTICE

When tightening the fastening bolt, the bolt should be able to rotate at least 12 complete 360° rotations. If the bolt stops prior to this, or if any green shows in the window, the fastening bolt is not tight enough. Remove and reposition the fastening system and verify it is properly engaged with the floor posts.

Before applying threadlocker, always clean and prime receiving threads of fasteners and parts.

Allow threadlocker to dry for a minimum of one hour before using the fastening system. Full cure time is 24 hours.




15



16

7 - PARTS AND SERVICE, ACCESSORIES

7.1 U.S.A. and Canada

In the United States and Canada, contact  EMSAR, the only organization authorized by Ferno to manage, service, and repair Ferno products.

| | |
|-----------------------|--|
| Telephone (Toll-free) | 1.800.73.EMSAR |
| Telephone (Worldwide) | 1.937.383.1052 |
| Fax (Worldwide) | 1.937.383.1051 |
| Internet | www.EMSAR.com |

7.2 Australia

In Australia, contact Ferno to order parts or for professional repairs.

Ferno-Australia
11 Johnstone Road, Brendale, QLD 4500
Queensland, Australia

| | |
|-----------------------|---|
| Telephone (Toll-Free) | +1.800.804.647 |
| Telephone | +617.3881.4999 |
| Fax | +617.3881.1125 |
| Internet | http://www.ferno.com.au/ |

7.3 Worldwide

To order Ferno parts, and for professional repairs, contact your Ferno distributor. Your distributor is the only agent authorized by Ferno to manage, service, and repair Ferno products.

7.4 Accessories

Ferno offers a full line of accessories approved for installing the fastening system. Always follow the instructions packed with accessories. Keep the instructions with this manual.

Ferno also offers a full line of emergency products for the EMS professional. Contact Ferno or your Ferno distributor for product information. See "Ferno Customer Relations" on page 2.

WARNING

Improper parts and service can cause injury. Use only Ferno-approved parts and service on the fastening system.

Modifying the fastening system can cause injury and damage. Use the fastening system only as designed by Ferno.

| Kit Name | Australia | Global |
|---|-----------|----------|
| Kit, Foam Replacement | 90-0314 | 090-6110 |
| Kit, Adjuster plate and hardware IFLA-NMI+ICR | 90-0315 | 090-6111 |
| Kit, Spacer ILFANMI+IFLA-BF | 90-0316 | 090-6112 |
| Kit, Track Fitting ILFA-NMI | 90-0317 | 090-6113 |
| Kit, Track Fitting for Safety Hook ILFA-NMI | 90-0318 | 090-6114 |
| Kit, Shim Safety Hook ILF | 90-0320 | 090-6115 |
| Kit, Safety Hook Pin and Fasteners | 90-0323 | 090-6116 |
| Kit, Center Mount Hook Pin | 90-0329 | 090-6117 |
| Kit, iNjLINE Top Cover | 91-0045 | 090-6118 |
| Kit, iNjLINE Scuff Strip, Short | 91-0046 | 090-6119 |
| Kit, iNjLINE Scuff Strip, Medium | 91-0047 | 090-6120 |
| Kit, iNjLINE Scuff Strip, Long | 91-0048 | 090-6121 |

TRAINING RECORD

| Date | Printed Name | Signature | Training Method | | | Trainer Initials |
|------|--------------|-----------|-----------------|---------------|----------|------------------|
| | | | Read Manual | Video/ Online | Hands-On | |
| | | | | | | |
| | | | | | | |
| | | | | | | |
| | | | | | | |
| | | | | | | |
| | | | | | | |
| | | | | | | |
| | | | | | | |
| | | | | | | |
| | | | | | | |
| | | | | | | |
| | | | | | | |
| | | | | | | |
| | | | | | | |
| | | | | | | |
| | | | | | | |
| | | | | | | |
| | | | | | | |
| | | | | | | |
| | | | | | | |
| | | | | | | |
| | | | | | | |
| | | | | | | |
| | | | | | | |
| | | | | | | |
| | | | | | | |
| | | | | | | |
| | | | | | | |
| | | | | | | |
| | | | | | | |
| | | | | | | |
| | | | | | | |
| | | | | | | |



11 Johnstone Road, Brendale, QLD 4500
Queensland, Australia

Aviation

Military

Mortuary

EMS

Rescue
