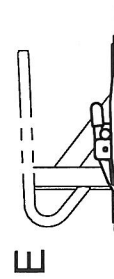
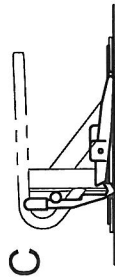
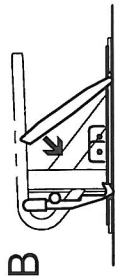
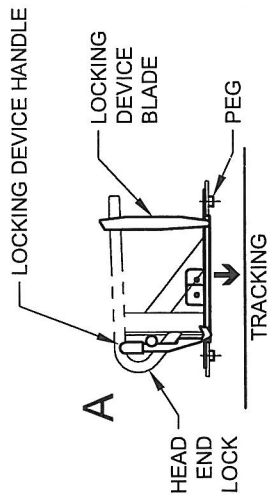
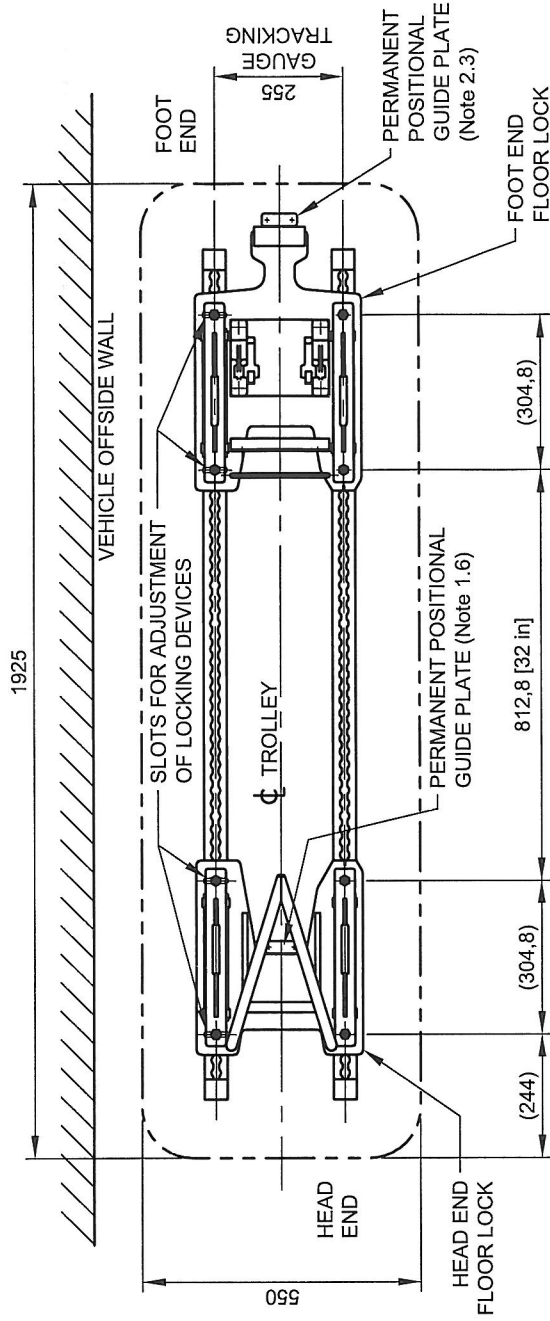


INSTALLATION GUIDE FOR 2-PART TRACK-MOUNTED LOCK (255-mm GAUGE)



1 INSTALLATION OF HEAD END LOCK ASSEMBLY

- 1.1) AS SHOWN IN DIAGRAM A, ENSURE HANDLE AND BLADE OF LOCKING DEVICES ARE IN THE FULLY OPEN (UP) POSITION.
- 1.2) LOCATE THE PEGS ON THE UNDERSIDE OF THE LOCK ASSEMBLY IN THE TRACKING REFERRING TO THE DIMENSION SHOWING THE RELATIVE POSITION OF THE TROLLEY.
NOTE: THE GUIDE NOTCH ON THE BASE PLATE WILL HELP TO LOCATE THE CENTRE LINE OF THE L.H. TRACK. THE R.H. LOCKING MECHANISM MAY NEED TO BE ADJUSTED TO SUIT BY LOOSENING, MOVING ALONG THE SLOTS AND RETIGHTENING.
- 1.3) AS SHOWN IN DIAGRAMS B & C, PUSH BLADE OF EACH LOCKING MECHANISM DOWN BY HAND UNTIL IT STOPS.
- 1.4) PUSH HANDLE OF EACH LOCKING MECHANISM FULLY DOWN (DIAGRAM D) UNTIL THE INTEGRAL PLUNGER LOCKS INTO PLACE (DIAGRAM E).
- 1.5) TEST FOR SECURITY & SAFETY.
- 1.6) FASTEN POSITIONAL GUIDE PLATE TO FLOOR ADJACENT TO LOCK ASSEMBLY.

2 INSTALLATION OF FOOT END LOCK ASSEMBLY

- 2.1) AT THE RELATIVE POSITION SHOWN, INSTALL FOOT END LOCK IN EXACTLY THE SAME WAY AS THE HEAD END LOCK.
- 2.2) TEST FOR SECURITY & SAFETY.
- 2.3) FASTEN POSITIONAL GUIDE PLATE TO FLOOR ADJACENT TO LOCK ASSY.

3 REMOVAL AND REPLACEMENT OF LOCK ASSEMBLIES

- 3.1) ON BOTH SIDES OF EACH LOCK ASSY RETRACT THE PLUNGER AND PULL UP RELEASE HANDLE AND BLADE OF LOCKING DEVICE.
- 3.2) REMOVE LOCK ASSEMBLIES
- 3.3) LOCK ASSEMBLIES SHOULD BE REPLACED ADJACENT TO THE POSITIONAL GUIDE PLATES.

4 SECURING THE TROLLEY IN THE LOCK DOWN BRACKET ASSEMBLY

- 4.1) LOAD THE TROLLEY INTO THE AMBULANCE
- 4.2) GUIDE THE TROLLEY INTO THE HEAD END FLOOR LOCK ASSEMBLY
- 4.3) SECURE THE TROLLEY USING THE REAR END FLOOR LOCK ASSEMBLY & CHECK FOR SECURITY & SAFETY

IMPORTANT NOTES:
 POSITION OF OTHER EQUIPMENT IN AMBULANCE MUST BE TAKEN INTO CONSIDERATION BEFORE INSTALLATION OF FERNO FLOOR LOCKS TO AVOID CLASHING WITH TROLLEY.
INSTALLATION OF THE EQUIPMENT IN THE VEHICLE IS THE RESPONSIBILITY OF THE INSTALLATION ENGINEERS.
THIS PRODUCT MUST BE REGULARLY SERVICED AND MAINTAINED TO ENSURE SATISFACTORY OPERATION.